

© 2013 Essentra Components. All rights reserved.
 Registered in England, Company No. 547495.
 Registered Office: Essentra plc
 Langford Locks, Kidlington, Oxford, OX5 1HX

Condition of Sale can be found on our website: essentra.com.

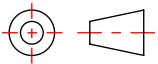
Essentra Components does not warrant that the files will be error free and may create new versions ("Upgrades") at any time, which may correct such errors. Essentra Components has no obligation to notify you of such upgrades. Any upgraded file will be published to the website, when it becomes available.

You are not permitted to load any of the files on to a network server for the purposes of distribution to one or more other computer(s) on that network or to effect such distribution. Essentra Components shall not be liable for any loss or damage whatsoever or however caused, arising directly or indirectly from the use of the files.

UNCONTROLLED COPY

STATUS **APPROVED DRAWING**

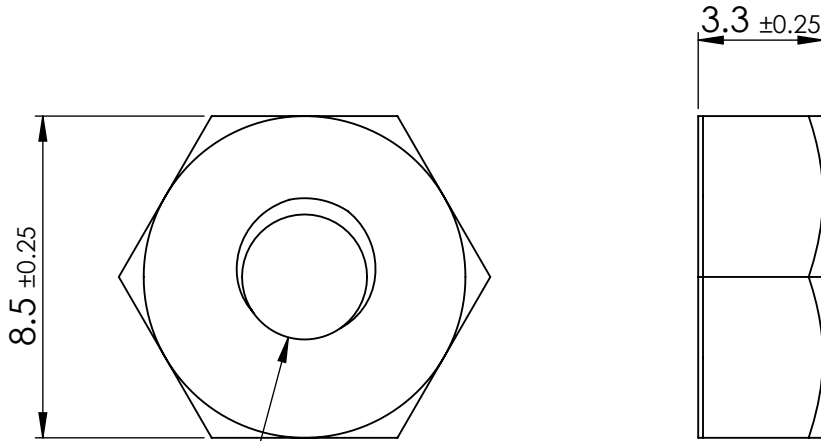
UNLESS OTHERWISE STATED

ALL DIMENSIONS IN mm			DO NOT SCALE	
LINEAR TOLERANCE			THIRD ANGLE PROJECTION	
SIZE	(0)	(0.0)		
0-10	±0.5	±0.15 ±0.10	ANGULAR TOLERANCE ±0.5 DEGREES	
>10-30	±0.5	±0.20 ±0.15	UNSPECIFIED RADII 0.25mm	
>30-50	±0.5	±0.30 ±0.20	DRAFT ANGLE 0.5 DEGREES	
>50-100	±0.8	±0.50 ±0.25	DIMENSIONS IN PARENTHESIS () ARE FOR REFERENCE ONLY	
>100-200	±1.5	±0.80 ±0.40		
>200-300	±2.0	±1.20 ±0.80		
>300-500	±3.0	±2.00 ±1.00		
>500	±5.0	±3.00 ±1.50		

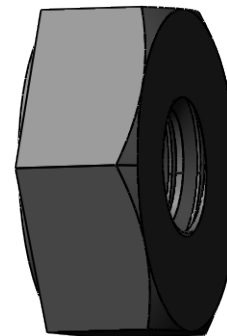
ITEM CODE	20452063	CREATE DATE	20/03/2025
LEGACY CODE	0700832LNB	MATERIAL	PA66
		COLOUR	BLACK
		FINISH	-

TITLE:
 LOCK NUT
 -

DWG. No.	20452063	SCALE	5:1	ISSUE	2
				SHEET	1 of 2



8-32 LOCKING THREADS



Essentra Components does not warrant that the files will be error free and may create new versions ("Upgrades") at any time, which may correct such errors. Essentra Components has no obligation to notify you of such upgrades. Any upgraded file will be published to the website, when it becomes available.

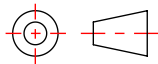
You are not permitted to load any of the files on to a network server for the purposes of distribution to one or more other computer(s) on that network or to effect such distribution. Essentra Components shall not be liable for any loss or damage whatsoever or however caused, arising directly or indirectly from the use of the files.

UNCONTROLLED COPY

STATUS **APPROVED DRAWING**

UNLESS OTHERWISE STATED

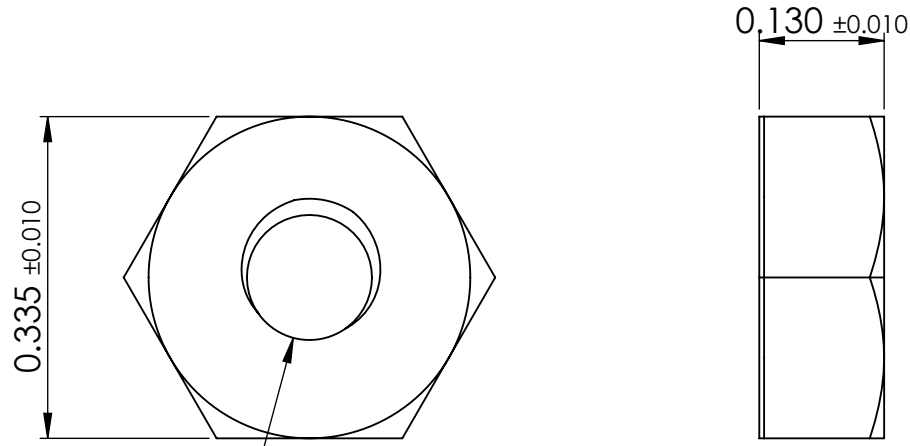
ALL DIMENSIONS IN inches DO NOT SCALE

LINEAR TOLERANCE				THIRD ANGLE PROJECTION	
SIZE	(0.00)	(0.000)	(0.0000)		
0 - 0.394	±0.020	±0.006	±0.004	ANGULAR TOLERANCE ±0.5 DEGREES UNSPECIFIED RADIUS 0.25mm DRAFT ANGLE 0.5 DEGREES DIMENSIONS IN PARENTHESIS () ARE FOR REFERENCE ONLY	
>0.394 - 1.181	±0.020	±0.008	±0.006		
>1.181 - 1.969	±0.020	±0.012	±0.008		
>1.969 - 3.937	±0.031	±0.020	±0.010		
>3.937 - 7.874	±0.059	±0.031	±0.016		
>7.874 - 11.811	±0.079	±0.047	±0.031		
>11.811 - 19.685	±0.118	±0.079	±0.039		
>19.685	±0.197	±0.118	±0.059		

ITEM CODE	20452063	20/03/2025	CREATE DATE
LEGACY CODE	0700832LNB	PA66	MATERIAL
		BLACK	COLOUR
		-	FINISH

TITLE:
 LOCK NUT
 -

DWG. No.	20452063	SCALE	ISSUE
		5:1	2
		SHEET	2 of 2



8-32 LOCKING THREADS

